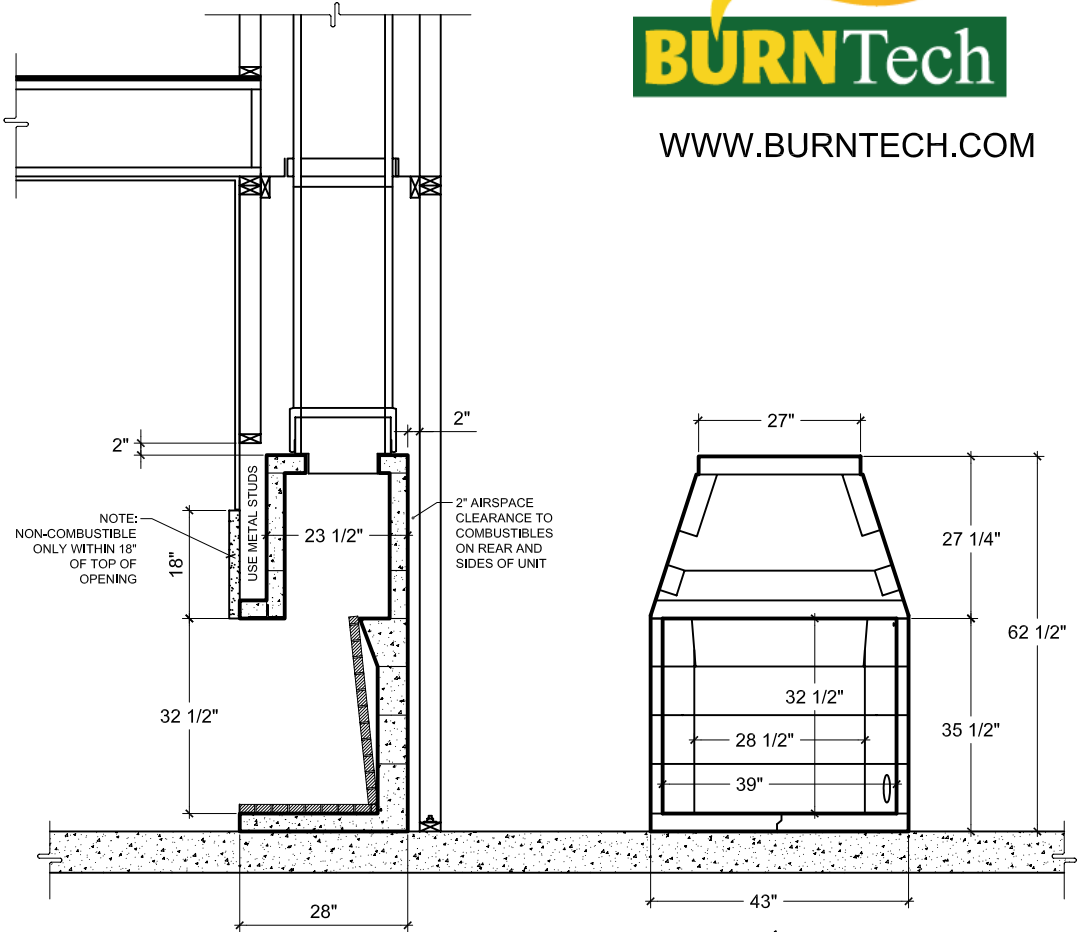


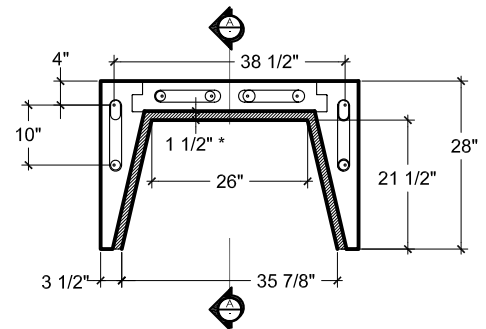


WWW.BURNTech.COM



OTHER DIMENSIONS	
Framing Width	47"
Framing Height	65"
Framing Depth	30"
Flue Size - Class A	12"
Weight	1260 lbs

ACCESSORIES	
Herringbone Brick Liner	FBK39SHB
Full Running Bond Brick Liner	FBK39FRB
Structural Metal Base Kit	BK39
Anchor Plate/Damper	(see options)
Masonry Arch	BFP-ARC



PLAN

Models:
TFS39-12 (uses 12" Class A UL103)
TFS39-14 (uses 14" Class A UL103)

TITLE: **Traditional Fireplace Series  
39"x 32" FIREPLACE**

DWG. NUMBER	RELEASE DATE	REV. DATE	APPROVED
TFS39-XX	11/10/2012	...	...