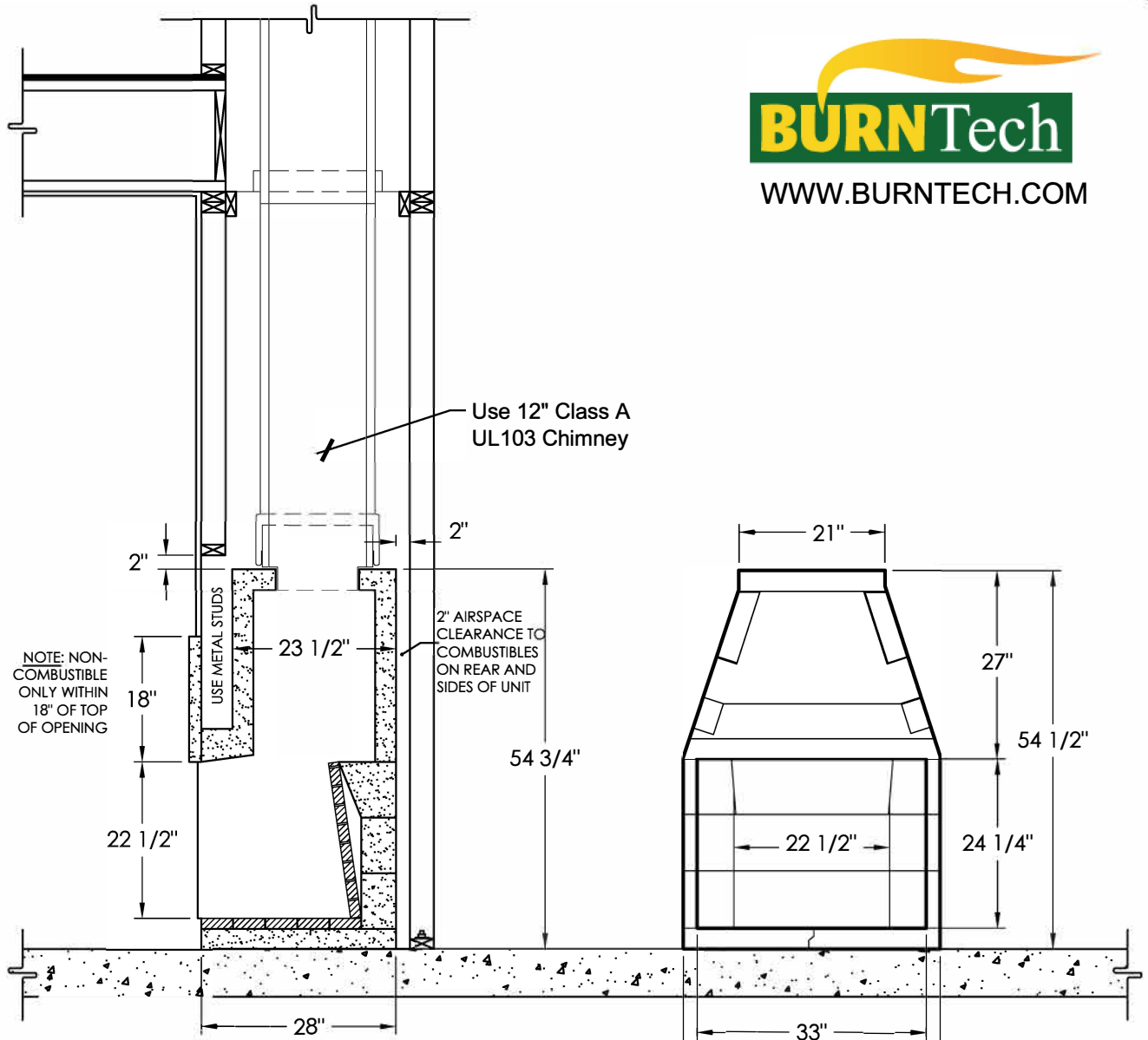
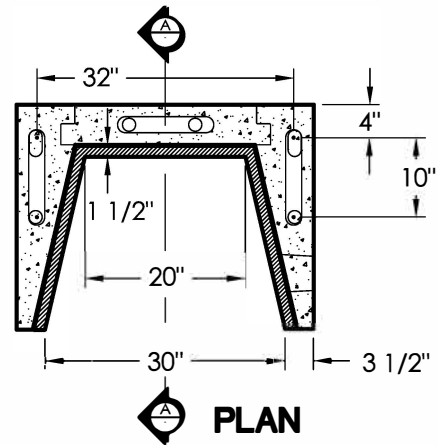




WWW.BURNTECH.COM



SECTION A-A



PLAN

OTHER DIMENSIONS	
Framing Width	41"
Framing Height	57"
Framing Depth	30"
Flue Size - Class A	12"
Weight	835 lbs

ACCESSORIES	
Herringbone Brick Liner	FBK33SHB
Full Running Bond Brick Liner	FBK33FRB
Structural Metal Base Kit	BK33
Ø4" Combustion Air Kit	BFP4-AK
Anchor Plate/Damper	(see options)
Masonry Arch	BFP-ARC

TITLE: Traditional Fireplace Series 33"x 22" FIREPLACE			
DWG. NUMBER	RELEASE DATE	REV. DATE	APPROVED
TFS33-12	11/05/2012