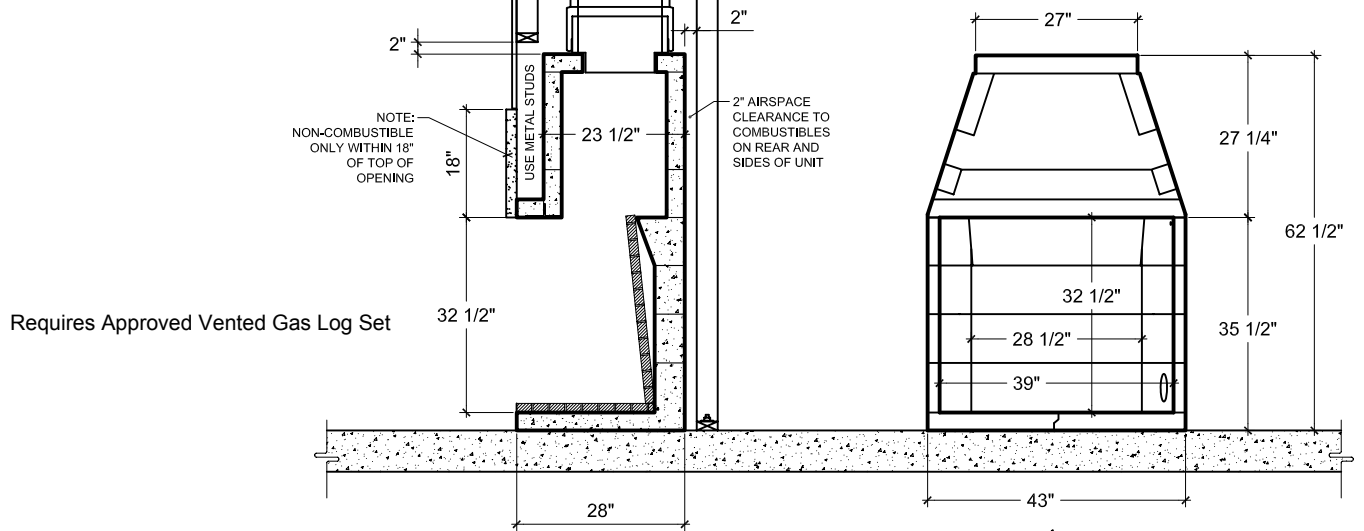




WWW.BURNTTECH.COM

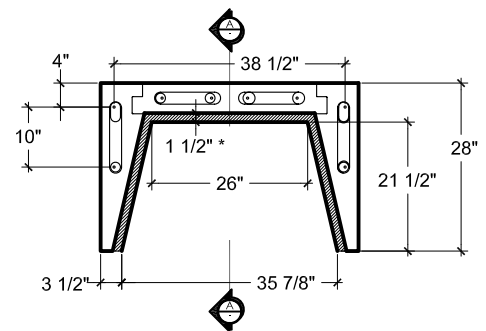
Use Only Approved 10" B-Vent
Flue System And GBVS Parts. Refer to
GBVS Installation Manual For
Installation Instructions



Requires Approved Vented Gas Log Set

OTHER DIMENSIONS	
Framing Width	47"
Framing Height	65"
Framing Depth	30"
Flue Size - Class A	12"
Weight	1260 lbs

ACCESSORIES	
Herringbone Brick Liner	FBK39SHB
Full Running Bond Brick Liner	FBK39FRB
Structural Metal Base Kit	BK39
Anchor Plate/Damper	(see options)
Masonry Arch	BFP-ARC



PLAN

TITLE:

**Burntech B-Vent Series
39"x 32" FIREPLACE**

DWG. NUMBER	RELEASE DATE	REV. DATE	APPROVED
GBVS 39	11/10/2012	...	