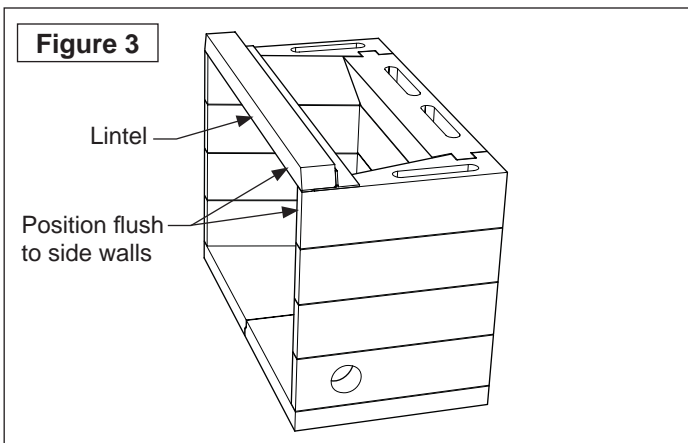
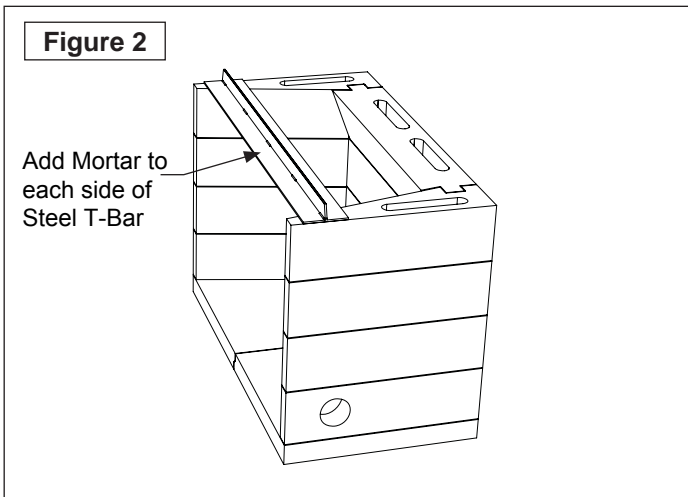
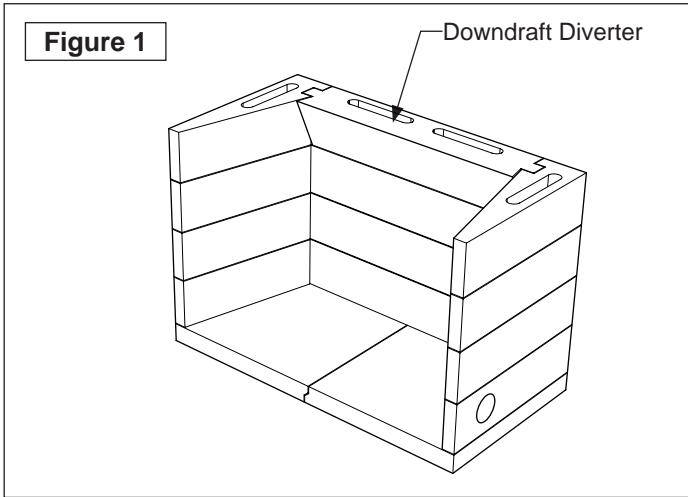


Masonry Damper Installation Guide

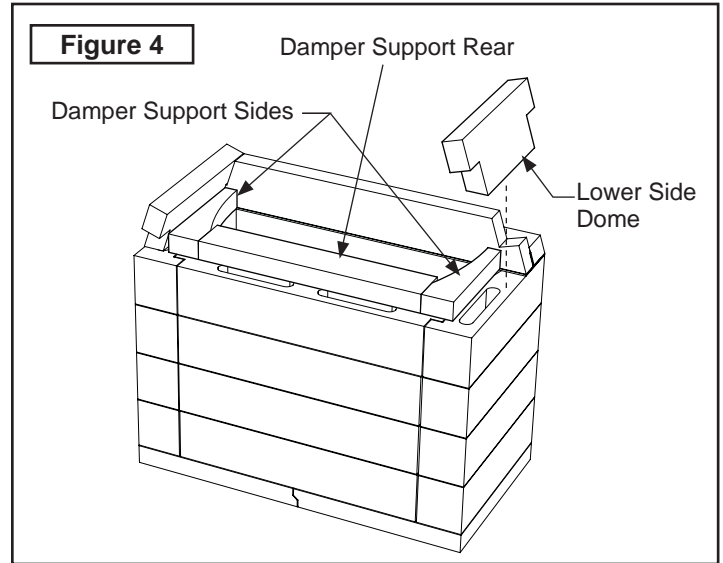
Build fireplace per instructions.
After Downdraft Diverter has been installed (Fig.1), fill cavities with 2,000 psi mortar or concrete.

Position T-Bar as shown in Figure 2 and align Front Lintel flush with sides as shown in Fig.3.



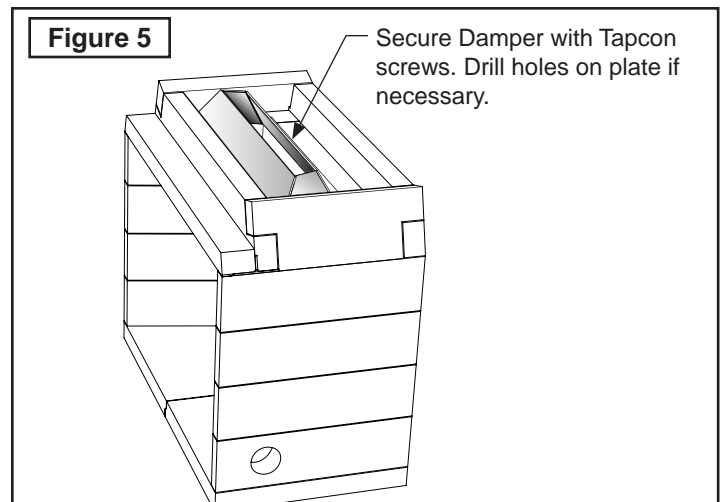
Install remaining Lintel Rear and Lower Side Domes as shown in Fig.4.

These components will serve as the template for the assembly of your Damper Support Sides and Rear blocks as shown in Fig.4.



Install Damper System per its' manufacturer's instructions. Some systems come with pre-drilled holes for securing with Tapcon® screws.

Complete the installation per the fireplace assembly instructions.



Damper Specifications:
 Back Piece Length
 OFS/TFS33-18.5"
 OFS/TFS39-24.5"
 OFS/TFS44-29.5"
 OFS/TFS49-34.5"
 OFS/TFS63-48.5"