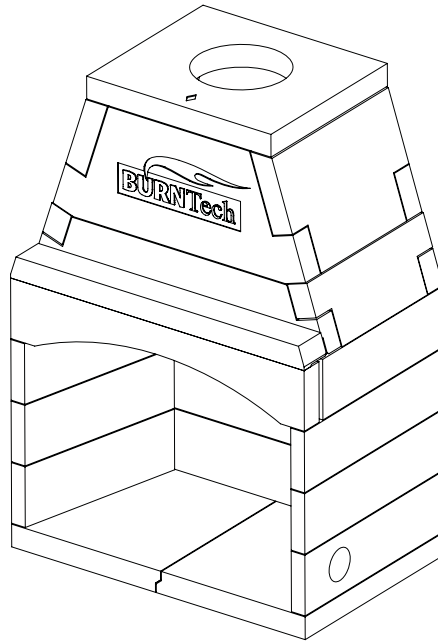




Arch Installation Instructions

for models TFS/OFS 33 /39 /44 /49 /63



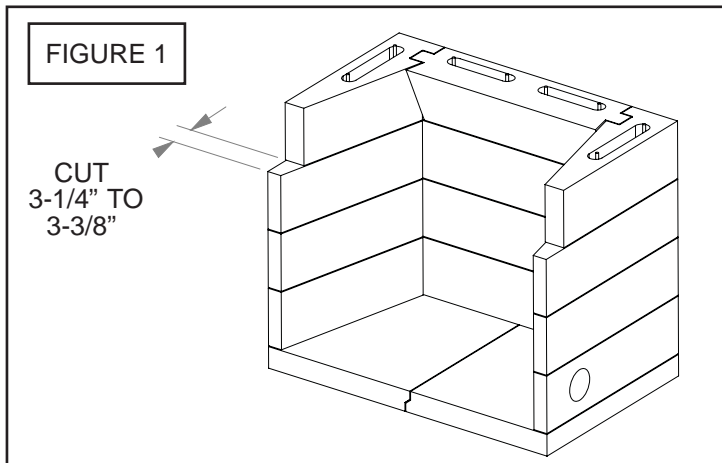
These instructions are for the installation of the BURNTech Arches only. See instructions that came with your unit for complete Fireplace Installation Instructions.

Step 1

Assemble your fireplace as per the instructions supplied with it, up until before the last tier of wall.

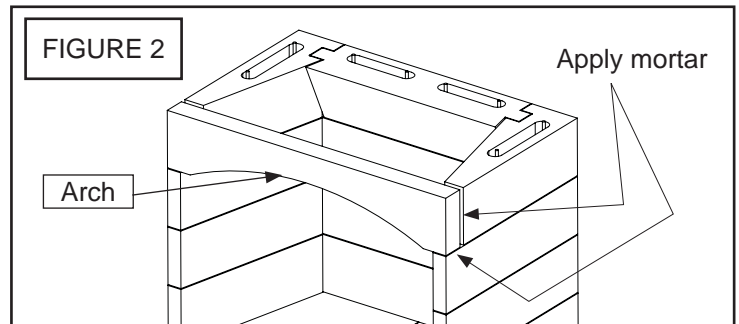
Step 2

Prior to completing last row of side walls, saw cut 3-1/4" to 3-3/8" off the front of each of both side walls as shown in Fig.1.

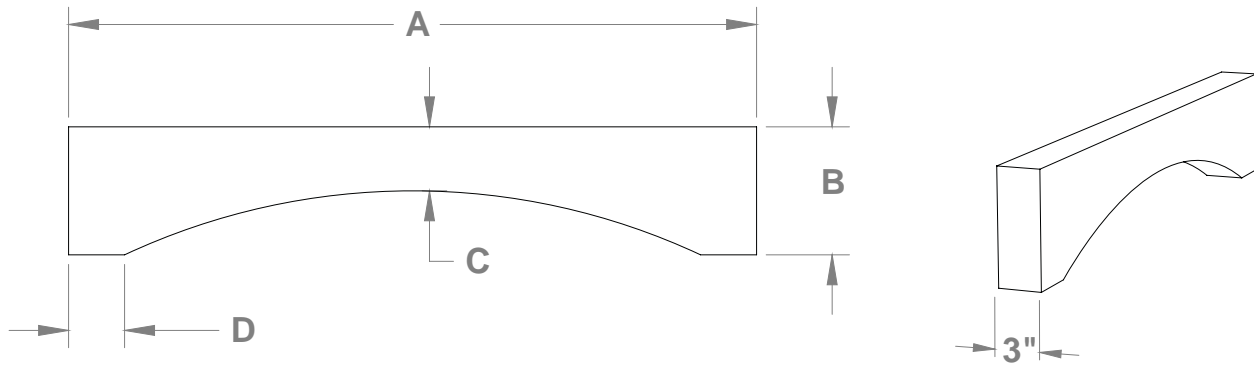


Step 3

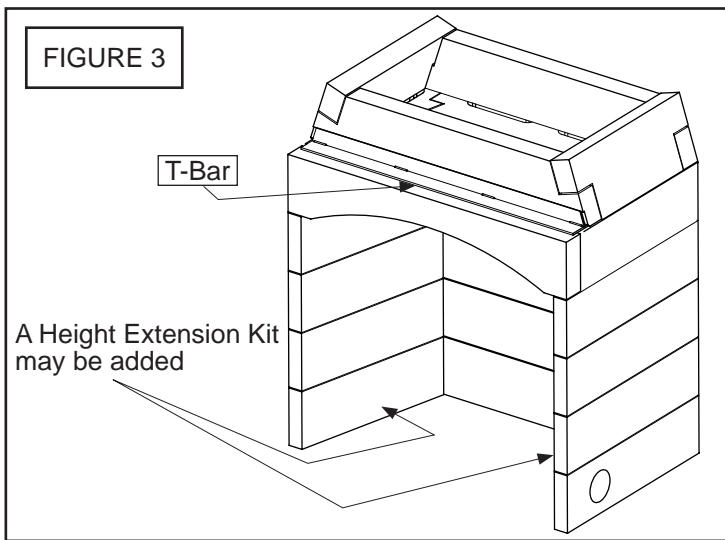
Apply mortar to all mating surfaces of Arch and place into cut opening. Level as necessary.



NOTE: Since the Arch reduces the effective opening height by 4 inches, you may want to obtain a Height Extension Kit to compensate for the difference (see Figure 3).



MODEL	A	B	C	D
TFS/OFS 33	37"	8"	4"	3-1/2"
TFS/OFS 39	43"	8"	4"	3-1/2"
TFS/OFS 44	48"	8"	4"	3-1/2"
TFS/OFS 49	53"	8"	4"	3-1/2"
TFS/OFS 63	67"	8"	4"	3-1/2"



Customer Service:

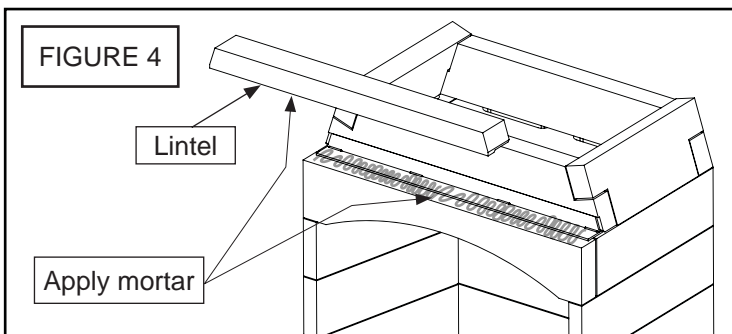
Most parts and accessories may be purchased from your dealer. For additional Parts and accessories please call Burntech® Fireplace Solutions Monday thru Friday 9 AM to 4 PM (Pacific Standard Time) at (818) 564-4253 or Fax your order to (818) 564-4232.

You may also visit our website at:

WWW.BURNTECH.COM

Step 4

Make sure adequate amount of mortar is applied underneath and behind Lintel front piece as shown in Figure 4.



Continue assembling your fireplace as per the instructions supplied with your unit.