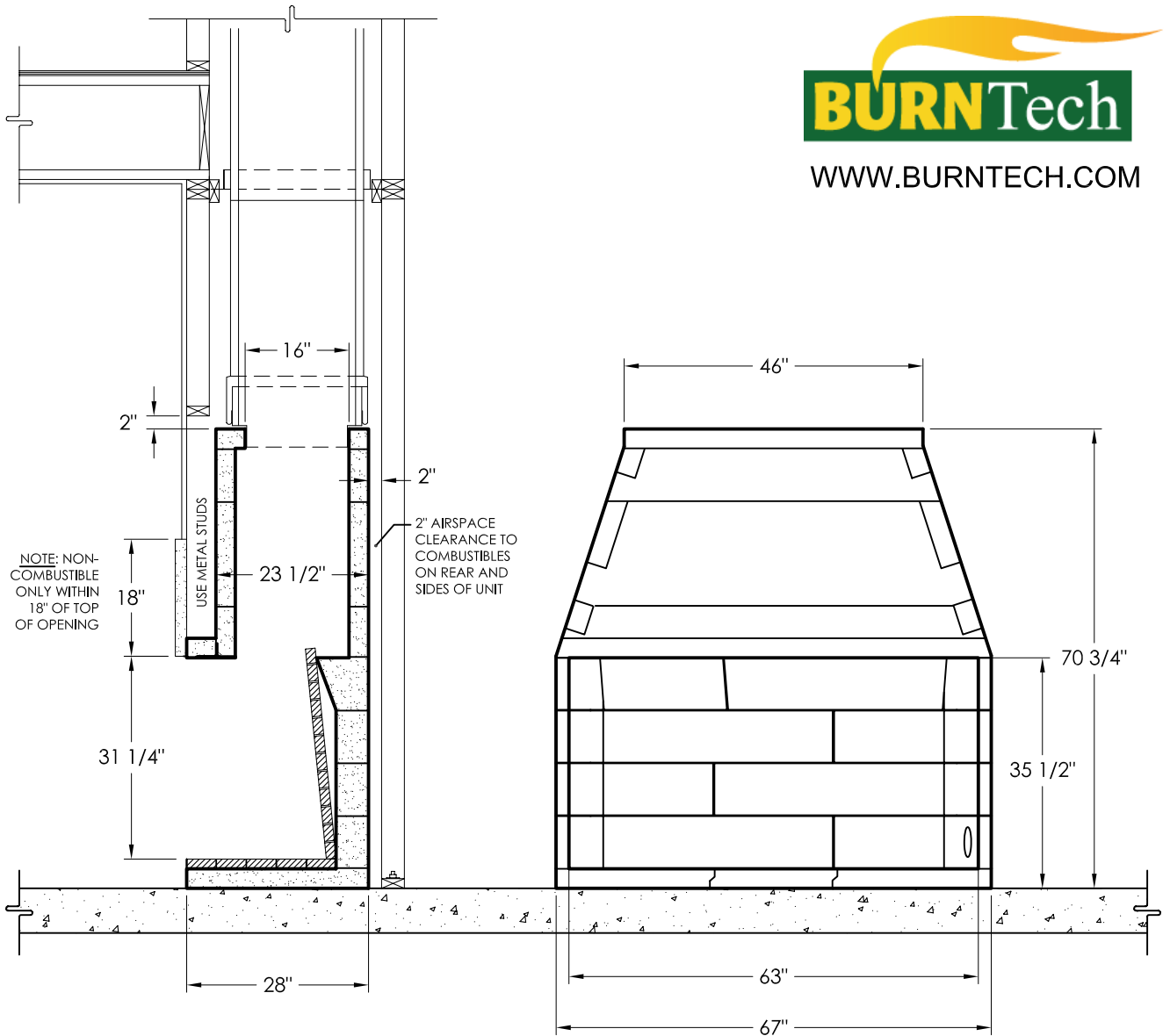


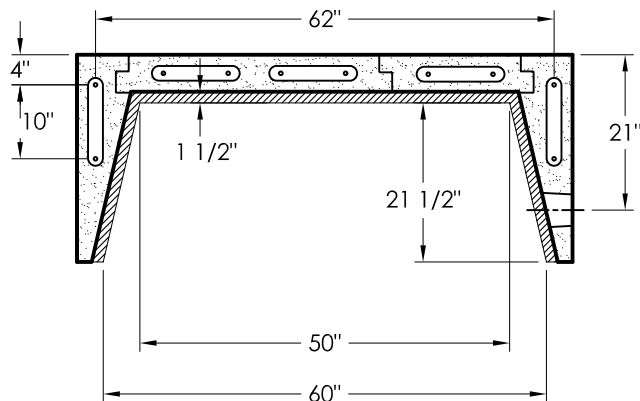


WWW.BURNTECH.COM



OTHER DIMENSIONS	
Framing Width	71"
Framing Height	74"
Framing Depth	30"
Flue Size - Class A	16"
Weight	2055 lbs
Mortar and Rebar	130 lbs
Ready Mix	250 lbs

ACCESSORIES	
Herringbone Brick Liner	FBK63SHB
Full Running Bond Brick Liner	FBK63FRB
Structural Metal Base Kit - 8"	BK63
Anchor Plate/Damper	(see options)
Combustion Air Kit	BFP4-AK
Masonry Arch	BFP-ARC



TITLE: Traditional Fireplace Series
63"x 32" FIREPLACE

DWG. NUMBER	RELEASE DATE	REV. DATE	APPROVED
TFS63	11/08/12	07/22/2015	...