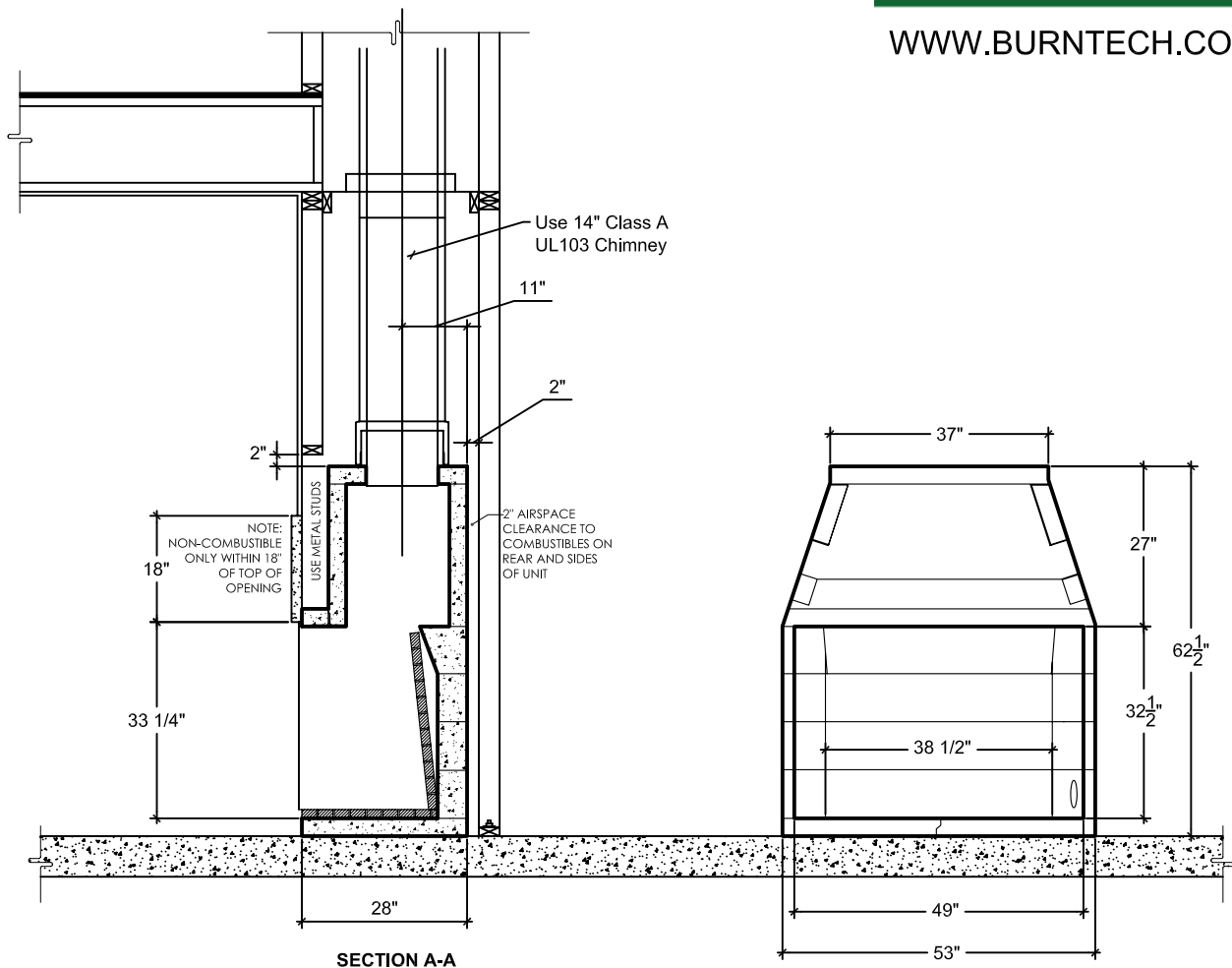
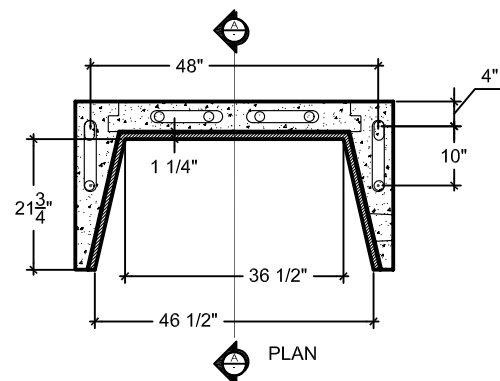




WWW.BURNTECH.COM



SECTION A-A



OTHER DIMENSIONS

Framing Width	57"
Framing Height	65"
Framing Depth	30"
Flue Size - Class A	14"
Weight	1635 lbs
Mortar and Rebar	73 lbs
Ready Mix	200 lbs

ACCESSORIES

Herringbone Brick Liner	FBK49SHB
Full Running Bond Brick Liner	FBK49FRB
Structural Metal Base Kit - 6"	BK49
Anchor Plate/Damper	(see options)
Combustion Air Kit	BFP4-AK
Masonry Arch	BFP-ARC

TITLE: Traditional Fireplace Series			
49"x 32" FIREPLACE			
DWG. NUMBER	RELEASE DATE	REV. DATE	APPROVED
TFS49	11/08/12	07-22-2015	...