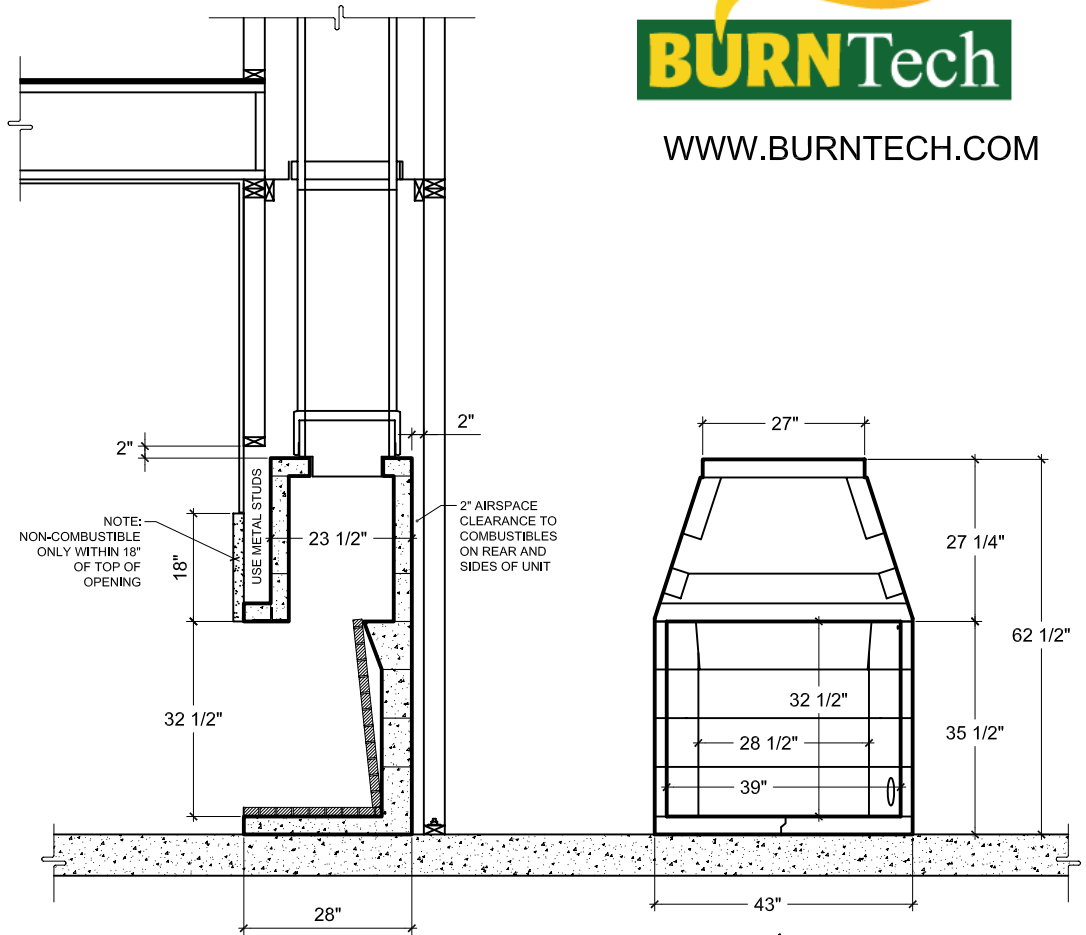


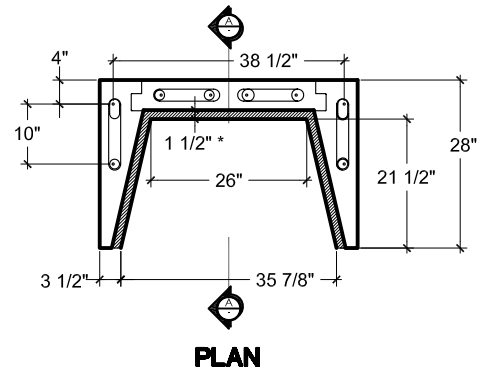


WWW.BURNTECH.COM



OTHER DIMENSIONS

Framing Width	47"
Framing Height	65"
Framing Depth	30"
Flue Size - Class A	12"
Fireplace Weight	1,378 lbs
Damper/Anchor Plate, Firebrick, Grout & Mortar	380 lbs
Steel Platform Weight	61 lbs
Max Chimney Weight	10 lbs/lineal ft.



ACCESSORIES

Herringbone Brick Liner	FBK39SHB
Full Running Bond Brick Liner	FBK39FRB
Structural Metal Base Kit	BK39
Anchor Plate/Damper	(see options)
Masonry Arch	BFP-ARC

Models:

TFS39-12 (uses 12" Class A UL103)

TFS39-14 (uses 14" Class A UL103)

TITLE:

Traditional Fireplace Series 39"x 32" FIREPLACE

DWG. NUMBER	RELEASE DATE	REV. DATE	APPROVED
TFS39-XX	11/10/2012	07/22/2015	...