

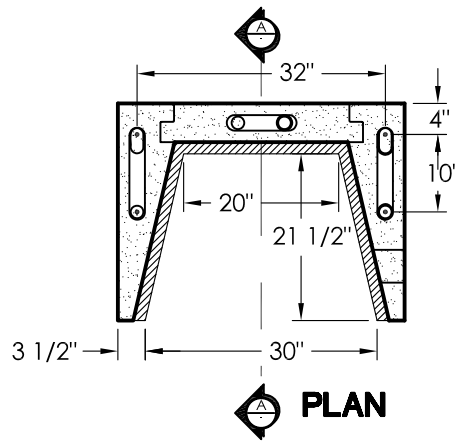
**SECTION A-A**

**OTHER DIMENSIONS**

Framing Width	41"
Framing Height	57"
Framing Depth	30"
Flue Size - Class A	12"
Weight	1091 lbs
Mortar and Rebar	70 lbs
Ready Mix	150 lbs

**ACCESSORIES**

Herringbone Brick Liner	FBK33SHB
Full Running Bond Brick Liner	FBK33FRB
Structural Metal Base Kit	BK33
Ø4" Combustion Air Kit	BFP4-AK
Anchor Plate/Damper	(see options)
Masonry Arch	BFP-ARC



**PLAN**

TITLE: <b>Traditional Fireplace Series</b>			
<b>33"x 32" FIREPLACE</b>			
DWG. NUMBER	RELEASE DATE	REV. DATE	APPROVED
TFS33-12	11/05/2012	07/22/2015	...