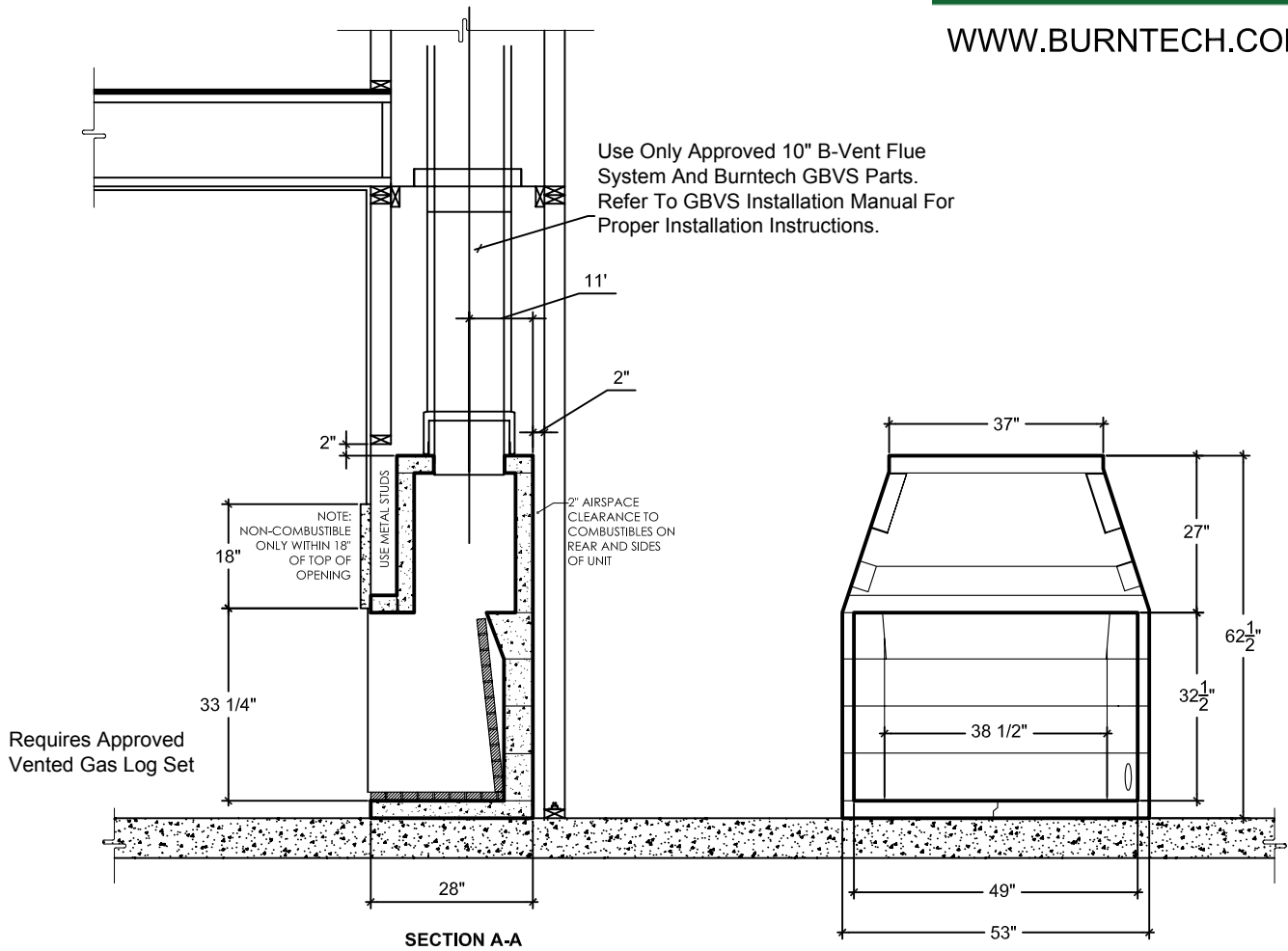


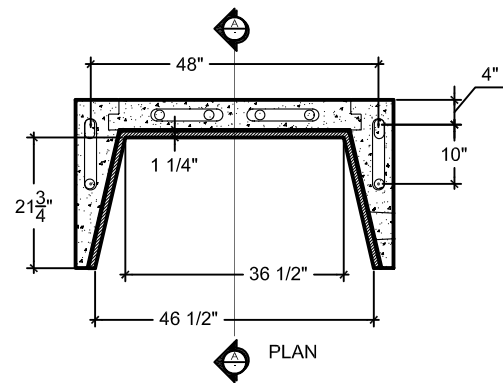


WWW.BURNTech.COM



SECTION A-A

OTHER DIMENSIONS	
Framing Width	57"
Framing Height	65"
Framing Depth	30"
Flue Size - Class A	14"
Weight	1440 lbs



PLAN

ACCESSORIES	
Herringbone Brick Liner	FBK49SHB
Full Running Bond Brick Liner	FBK49FRB
Structural Metal Base Kit - 6"	BK49
Anchor Plate/Damper	(see options)
Combustion Air Kit	BFP4-AK
Masonry Arch	BFP-ARC

**Burntech B-Vent Series
49"x 32" FIREPLACE**

DWG. NUMBER	RELEASE DATE	REV. DATE	APPROVED
GBVS 49	11/08/12	N/A	