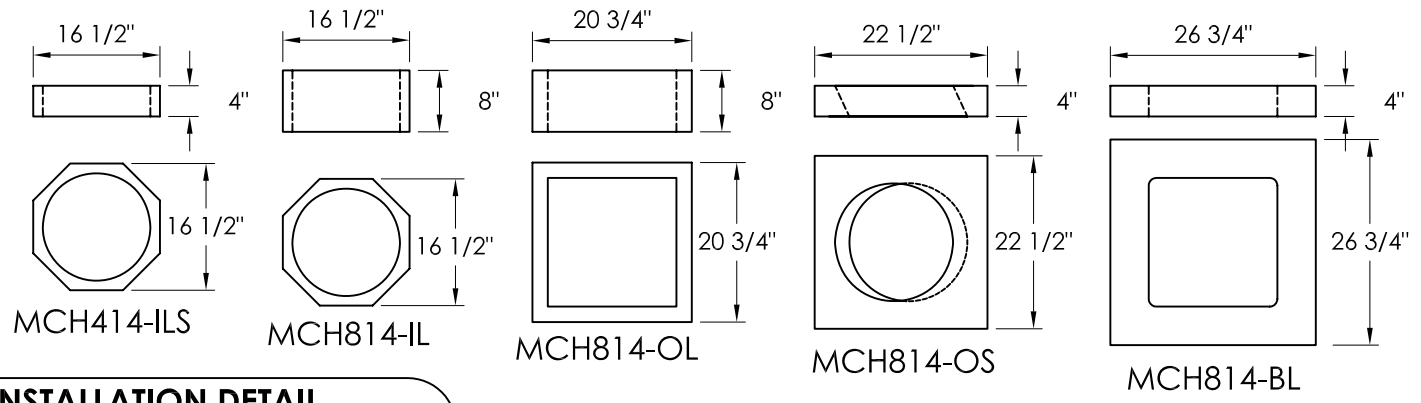
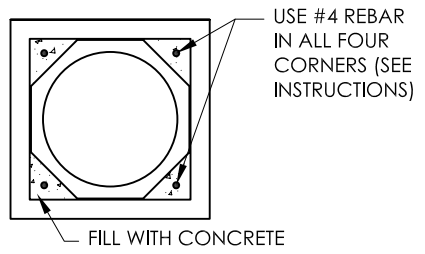


INDIVIDUAL PART DIMENSIONS



INSTALLATION DETAIL



Masonry Chimney System Kits	
MCH814-8TS:	8' System; 12 Sections: 14" I.D. x 8"H - Inc (1) MCH414-ILS
MCH414-4TS:	4' Patio System; 6 Sections: 14" I.D. x 8"H - Inc (1) MCH414-ILS

Parts can be ordered individually or as a kit

TITLE: MASONRY CHIMNEY SYSTEM		
DWG. NUMBER	RELEASE DATE	REV. DATE
MCH	6/9/13	3/15/2014

PROPRIETARY AND CONFIDENTIAL: THE INFORMATION CONTAINED IN THIS DRAWING IS THE SOLE PROPERTY OF BURNTech. ANY REPRODUCTION IN PART OR AS A WHOLE WITHOUT THE WRITTEN PERMISSION OF BURNTech IS PROHIBITED.