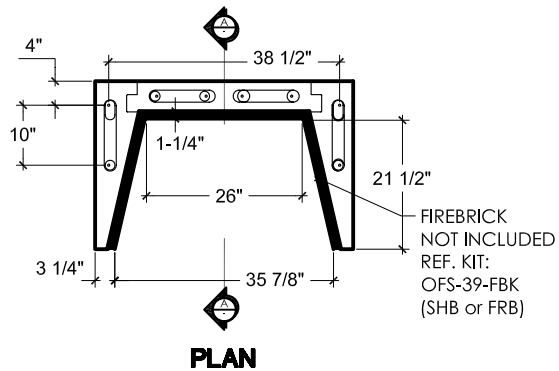


SECTION A-A



PLAN

OTHER DIMENSIONS

Framing Width	47"
Framing Height	65"
Framing Depth	30"
Fireplace Weight	1,378 lbs
Firebrick, Grout & Mortar	380 lbs

ACCESSORIES

Herringbone Brick Liner	FBK39SHB
Full Running Bond Brick Liner	FBK39FRB
Structural Metal Base Kit	BK39
Masonry Arch	BFP-ARC

TITLE: **Outdoor Fireplace Series**
39"x 32" FIREPLACE

DWG. NUMBER	RELEASE DATE	REV. DATE	APPROVED
OFS39	02-14-2013	-	...