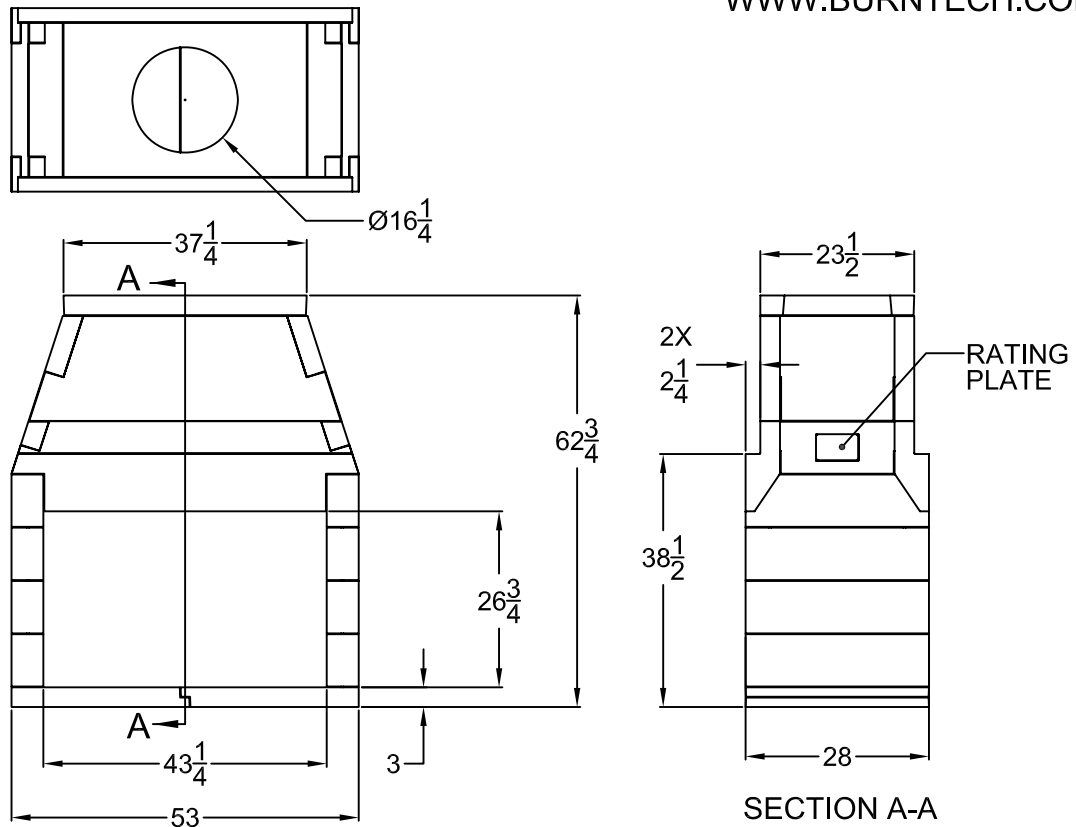




WWW.BURNTech.COM



OTHER DIMENSIONS	
Framing Width	57"
Framing Height	65"
Framing Depth	28"
Flue Size - Class A	Ø16"
Fireplace Weight	1,542 lbs
Damper/Anchor Plate, Firebrick, Grout & Mortar	350 lbs
Steel Platform Weight	70 lbs
Max Chimney Weight	10 lbs/lineal ft.

ACCESSORIES	
Herringbone Brick Liner	FBKST43-SHBL
Full Running Bond Brick Liner	FBKST43-FRBL
Structural Metal Base Kit - 8"	BK43
Anchor Plate/Damper	BFP16-AP
Combustion Air Kit	BFP4-AK
Masonry Arch	BFP43-ARC

**Traditional Fireplace Series
43" SEE THRU FIREPLACE**

PROPRIETARY AND CONFIDENTIAL: THE INFORMATION CONTAINED IN THIS DRAWING IS THE SOLE PROPERTY OF BURNTech. ANY REPRODUCTION IN PART OR AS A WHOLE WITHOUT THE WRITTEN PERMISSION OF BURNTech IS PROHIBITED.

DWG. NUMBER	RELEASE DATE	REV. DATE	APPROVED
TFS43ST	6/9/13	N/A	